

WORKPLACE LIGHTING

195 to 204



Levels Of Workplace Lighting

From an ergonomic point of view a workplace structures in several access areas. Knürr divides these in three different areas:

- **Task**
 - Area of immediate manual activity. Space for mouse, keyboard, writing utensils and communication devices. Task lights are meant to selectively illuminate the area directly in front of the operator. This light shall not affect other workstations and can be dimmed and adjusted.
- **Workstation**
 - Area of immediate manual activity and furthermore the complete remaining work surface of the console. Installed with overhead extension arms or as underfit lamp. Light sources allow 500

Lux for the working area. Precautionary oversizing may compensate for LED fading over time. Control panels are situated in front below the worktop and in easy reach.

- **Room Level**
 - Ceiling-mounted lamps are of advantage for an unobstructed view to a monitor wall. These overhead lamps illuminate the console with direct and indirect light and subsequently can be integrated in the room illumination. GST18 connector system, DALI and radio control allow for an easy installation.



Task

DAA20082



Workstation

DAA20055



Room Level

ACC20013

Task

Knürr Task LED

The Knürr Task LED is fitted with a bright LED lamp that provides pleasant task lighting and an easily accessible dimming button.

A specially developed highly reflective plastic reflector ensures glare-free working. What's more, even with such impressive performance figures, the Knürr Task LED is surprisingly economical in terms of energy consumption, with only 8 W of installed consumption for an average illuminance of up to 700 lx.

- Light and easy to adjust to your individual position
- Specially developed reflector for glare-free lighting
- Switching and dimming with memory function via easily accessible control button in the luminaire head
- Automatic cut-off and switch-on behavior can be adjusted
- Maintenance free LED technology with a service life of up to 50,000 hours and more

• Technical data

- Color temperature neutral white 4,000 K
- Connected load 100-240 V; 50/60 Hz
- Power consumption approx. 8 W
- Luminous flux approx. 600 lm
- Luminous efficacy approx. 75 lm/W
- Illuminance efficiency factor 93 lx/W
- Color rendering index (CRI) >80 (typ.85)
- Supplied with 3 m mains lead and with mains plug type CEE 7 / 16 (Euro plug),
- Various fastenings as accessories

• Color

- Aluminum black coated (for Task LED and Task LED L version)
- Silver metallic for Task LED SL

• Supply schedule

- 1 Knürr Task LED
(Please always order mounting adapter of choice)

Description	Model		Order no.	UP
Knürr Task LED	2 hinges (1 arm)		00.350.179.9	1 unit
Knürr Task LED L	3 hinges (2 arms) Color: black	long/short	00.350.174.9	1 unit
Knürr Task LED SL	3 hinges (2 arms) Color: silver metallic	short/long	00.350.174.7	1 unit



Knürr Task LED

DAA20082



Knürr Task LED L

DAA20083



Knürr Task LED SL

Task

LED Workstation Lamp Taneo

• Technical data

- Fitted with: 24 x Light-emitting diode light color neutral white, 3800-4300 K, Color Rendering Index (CRI)=80
- Work equipment: electronic transformer
- Connected load: 100-240 V; 50/60 Hz
- Power consumption: approx. 31 W
- Glare-free: conical prismatic screen
- System of protection: IP 20
- Class of protection: II
- Usage: multi-function switch
- Luminaire body: material sectional, aluminum surface, anodised color, aluminum colored, anodised
- Lamp cover: acrylic clear

- Tubular sections: material tubular, aluminum section, surface anodized, Form tubular section upright, color aluminum colored anodised
- Balance of articulation joints: spring
- Weight (net): approx. 1.9 kg
- Mains lead approx. 3.3 m; mains plug CEE 7/XVI
- Fastening: screw-down flange,

• Supply schedule

- 1 LED Workstation lamp Taneo

• Please note

- (Please always order mounting adapter of choice)

Picture: Herbert Waldmann GmbH & Co. KG

Order no.	UP
00.350.167.9	1 unit



Workstation lamp Taneo

ACC20022

LED Magnifier Lamp Tevisio

• Technical data

- Equipped with: 48 x LED, neutral white
- 3700 - 4200 K, color rendition index (CRI) 90
- Electronic transformer plug
- Mains: 100-240V; 50/60 Hz
- Power consumption: ca. 14 W
- Degree of protection: IP 20
- Protection class II
- Continuous dimming
- Multi-function switch
- Net weight: ca. 2.7kg
- BS 1363, CEE7/XVI, NEMA 1-15P
- Mounting: mounting flange, base
- Lense: 3,5 diopters

• Dimensions

- Diam. magnifier lens: D160 mm
- Mains cable: ca. 3,4 m Schuko type plug

• Material

- Magnifier lens: glas

• Color/Surfaces

- Housing:**
 - ABS, black
- Cover:**
 - Polyamide, matte (PA)
- Swivel arm:**
 - Extruded aluminum profile, clear anodized

• How supplied

- 1 LED Magnifier Lamp Tevisio

Picture: Herbert Waldmann GmbH & Co. KG

Order no.	UP
00.350.155.1	1 unit



LED Magnifier Lamp „Tevisio“

ACC20023

Task

Mounting Adaptors

Important information

- Our workstation lamps are supplied as standard with a universal adaptor. Please order the corresponding adapter or the respective Knürr Console.

Versions

Functional rail

- for Installation on functional rails as used with Ergocon, Elicon or Dacobas

Dacobas Profile

- for T-Slot installation on Dacobas and Elicon profiles at any height

Tabletop

- for direct installation in the tabletop

Dacobas/Elicon Profile (top)

- for fixation at the top side of Dacobas or Elicon Profiles

Universal mounting adaptor

- for fixation at tabletops with a max. height of 70mm

Supply schedule

- 1 Adaptor
- Mounting material

Color/Surfaces

- Plastic / Aluminum powder coated

System	Color	Order no.	UP
Functional rail	RAL9006 white aluminium	01.316.225.9	1 set
Dacobas Profile	RAL9006 white aluminum	01.316.256.9	1 set
Tabletop adaptor	Black	00.350.181.9	1 unit
Dacobas-Profile (top)	RAL5008 grey blue	00.350.156.1	1 set
Elicon-Profile (top)		00.351.031.7	1 set
Universal mounting adaptor	Black	00.350.180.9	1 unit



DAA20053

Mounting adaptor for functional rail



ACC20014

Mounting adaptor for Dacobas-Profile (side)



DAA20085

Tabletop mounting adaptor



DAA20086

Tabletop mounting adaptor



DAC20036

Mounting adaptor for Dacobas-Profile (top)



CON20017

Mounting adaptor for Elicon-Profile (top)



ACC20050

Universal mounting adaptor

Technical substructure lighting with magnetic fastening

- Economical and space-saving solution for lighting cabinets and enclosures. State-of-the-art LED technology guarantees a long and maintenance-free service life
- The most important features are:
 - integrated motion sensor
 - easy magnetic mounting for more flexibility
 - Combined AC & DC voltage range allows universal use with a single model
 - Daisy chain cables enable connection of up to 16 luminaires with AC and up to 8 luminaires with DC voltage
 - Wieland connector for quick and easy installation

Material / Surface

- PC plastic

Dimensions

- Width: 400 mm

Supply schedule

- 1 luminaire

Note

- Please order desired cable separately



Technical substructure lighting

Type	Order no.	UP
Luminaire	00.350.158.1	1 unit
Connecting cable LED light 2 metres	00.350.158.5	1 unit
Connecting cable LED light 1 metre	00.350.158.4	1 unit

Dimensions in mm: W = Width
 H = Height
 D = Depth
 h = Installation height
 d = Useful depth
 L = Length

HU = Standard height unit, 1 HU = 44.45 mm
 19" = 482.6 mm,
 (ideal for 19" components in acc. with DIN 41494)

UP = Unit of packaging
 kg = Weight

Conversion: 1 inch = 25.4 mm
 1 pound = 453.6 g

Replace „x“ with the number of your color choice

Workstation

Knürr Console LED

Highest Quality Of Light

The light dimming function adapts the amount of light to individual needs. Planar, homogeneous and flicker-free light relieves the eyes during work. Possible disturbing reflexions on bright surfaces are avoided with glare control.

Task-oriented Technology

Knürr Console LED provides high illuminance and absolute glare-free illumination for perfect light at the workstation. The enclosed lamp housing with a flat and compact design prevents the intrusion of dirt and is easy to clean.

- Utmost homogenous glare- and flicker-free light
 - Light output through parabolic louver for perfect glare suppression
 - Continuously dimmable with lamp-mounted or remote switch
 - Robust aluminum enclosure
- **Finish**
 - Hard anodized white-aluminum
 - Powder-coated RAL 9006 white aluminum
 - **Material**
 - Lamp enclosure: extruded aluminum, plastic
 - Connection part: sheet-steel
 - lamp rods: round steel tube

Technical Data

Dimensions:

- Lamp enclosure: 1256 x 187 x 50 mm
- Round steel tube diameter 22 mm
- Weight: approx. 5.4kg

Light:

- Luminous flux 3200 lm
- Color of light: neutral white (EN 12464-1)
- Color temperature: 4000 K
- Color rendering index: Ra > 80

Electrical:

- Power consumption approx. 33 W
- Power supply: 220 – 240 V 50/60 Hz
- Integrated on/off switch
- 6 meter Schuko power cord

Supply schedule

- 1 Knürr Console LED
- 2 Lamp rods
- Mounting material (for mounting to Knürr functional rail)
- version with external light dimming: 1 module with external button switch for on/off and dimming



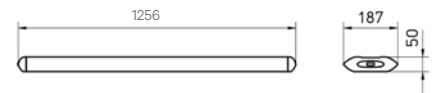
Knürr Console LED

ACC20015



• LED •

Model	Order no.	UP
External light dimming	00.350.177.9	1 unit
Internal light dimming	00.350.178.9	1 unit



Dimensions in mm: W = Width
H = Height
D = Depth
h = Installation height
d = Useful depth
L = Length

HU = Standard height unit, 1 HU = 44.45 mm
19" = 482.6 mm, (ideal for 19" components in acc. with DIN 41494)
UP = Unit of packaging
kg = Weight

Conversion: 1 inch = 25.4 mm
1 pound = 453.6 g

Replace „x“ with the number of your color choice

Workstation

Knürr Lumax LED Lamp Workstation or system installation

- State of the art LED-Modules for highest efficiency
 - Glare free
 - Photometric properties checked according to DIN EN 13032-1
 - Overdimensioned LED-Modules allow for dimming in the first years of use and thus grant extremely longevity
 - Dimmable with „Touch DIM“ feature via push button on the lamp or at tabletop
 - Perfect fit for Knürr consoles (adaptors for Knürr's multi functional rails)
 - 20° tiltable
- **Material**
 - Sheet steel powder coated
 - **Color combinations**
 - Lamp:**
 - Metallic grey microstructure
 - Side cover:**
 - RAL 9007 grey aluminum microstructure
 - Version system lamp:**
 - .9 = supports in metallic grey microstructure
 - .7 = supports in RAL 9006 white aluminum
 - **Technical Data (W1140)**
 - Dimensions:**
 - Width: 1140 mm
 - Height: 30 mm (without mounting adapter)
 - Depth: 100 mm
 - Light:**
 - Luminous flux 2160 lm
 - Luminous efficiency: 80 lm/W
 - Color temperature: 4000 K
 - Color rendering index: Ra > 80
 - SDCM: 4
 - Dimming range: 1 – 100%
 - Average lifetime (LED): 50.000 h

Electrical:

- Power consumption max. 27 W
- Power supply: 220 – 240 V 50/60 Hz

- **Technical Data (W1700)**

Dimensions:

- Width: 1700 mm
- Height: 30 mm (without mounting adapter)
- Depth: 100 mm

Light:

- Luminous flux 3255 lm
- Luminous efficiency: 83 lm/W
- Color temperature: 4000 K
- Color rendering index: Ra > 80
- SDCM: 4
- Dimming range: 1 – 100%
- Average lifetime (LED): 50.000 h

Electrical:

- Power consumption max. 39 W
- Power supply: 220 – 240 V 50/60 Hz

- **Supply schedule**

- 1x LED lamp with integrated LED driver
- Version with offset switch:
 - 1x module with external push button for switching and dimming
- Overhead system lamp:
 - with adaptors to Knürr's multi functional rail
 - 1x Schuko lead (3m)
- Mounting material

- **How supplied**

- Pre-assembled



ACC20016

• LED •

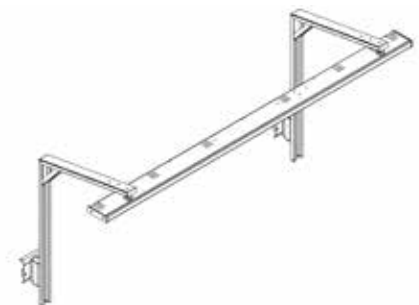


Knürr Lumax LED Lamp

DAA20055



Workstation lamp (underfit)



System lamp

Description	Model	Order no.	UP
Knürr Lumax LED 1140U 4000K int.	Workstation lamp with integrated push button	00.350.182.9	1 unit
Knürr Lumax LED 1140U 4000K ext.	Workstation lamp with offset push button (below table top)	00.350.183.9	1 unit
Knürr Lumax LED 1700U 4000K int.	Workstation lamp with integrated push button	00.350.186.9	1 unit
Knürr Lumax LED 1700U 4000K ext.	Workstation lamp with offset push button (below table top)	00.350.187.9	1 unit
Knürr Lumax LED 1140B 4000K ext.	System lamp with offset push button (below table top)	00.350.185.7	1 unit
Knürr Lumax LED 1140B 4000K ext.	System lamp with offset push button (below table top)	00.350.185.9	1 unit
Knürr Lumax LED 1700B 4000K ext.	System lamp with offset push button (below table top)	00.350.189.7	1 unit
Knürr Lumax LED 1700B 4000K ext.	System lamp with offset push button (below table top)	00.350.189.9	1 unit
Fixation kit for worktop installation	for system lamp	00.350.198.7	1 unit

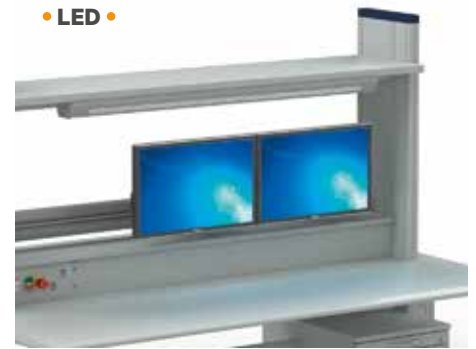
Workstation

Knürr Smart LED

Modern LED underfit lamp for installation beneath a workstation superstructure level.

- LED technology for optimum energy efficiency
 - Frosted glass cover prevents direct glare
 - Integrated electronic power supply for a slim design
 - Easy to reach on/off switch
 - lamp tiltable by 15°
 - Simple assembly
- **Material**
 - Sheet-steel, powder-coated
 - **Finish**
 - Powder-coating RAL 9006 white-aluminum
- **Technical Data**
 - Dimensions:**
 - Overall height: approx. 80 mm
 - Overall width: see table
 - Light:**
 - Luminous flux:
 - 1100 lm (version W 700 mm)
 - 1780 lm (version W 1300 mm)
 - Color of light: neutral white (EN 12464-1)
 - Color temperature: 4000 K
 - Color rendering index: Ra > 80
 - Electrical:**
 - Power consumption max.
 - 10 W (version W 700 mm)
 - 18 W (version W 1300 mm)
 - Power supply: 220 – 240 V 50/60 Hz
 - Integrated on/off switch
 - C13 mounting socket
 - 2.0m Schuko power cord
 - **Supply Schedule**
 - 1 Lamp Smart LED
 - 1 Mounting material
 - 1 Power cord

Model	W	Order no.	UP
Underfit lamp	700	00.350.190.9	1 unit
Underfit lamp	1300	00.350.191.9	1 unit



ACC20017



Knürr Smart LED

ACC20018

Dimensions in mm: W = Width
H = Height
D = Depth
h = Installation height
d = Useful depth
L = Length

HU = Standard height unit, 1 HU = 44.45 mm
19" = 482.6 mm, (ideal for 19" components in acc. with DIN 41494)

UP = Unit of packaging
kg = Weight

Conversion: 1 inch = 25.4 mm
1 pound = 453.6 g

Replace „x“ with the number of your color choice

Workstation

Knürr LED pendant

Pendant luminaire. Suspended ceiling mount in extra flat design does not block the view to large screen display walls with multiple console desks. Direct light portion with Edgelight and Lightguide technology for homogeneous light emission. Indirect light portion with Batwing diffusor for a wide light emission. Absolutely glare-free. Variable ceiling distance allows use in room heights from 2.5 and 4.2 m. Easy installation: Only needed is a Schuko or GST18 socket in the ceiling. Control is radio-controlled via BT module. The Knürr LED pendant is available in 2 variants:

1. With fixed light colour
2. As biodynamic version with variable light colour

• Finish

- Powder-coated white

• Material

- Sheet-steel, powder-coated
- Lamp cover: Acrylic (PMMA) clear (colorless)

• Technical Data

- Fitted with LED
- Connection: 220 – 240 V; 50/60 Hz

- Power consumption: approx. 49 W / approx. 65W biodynamic version
- Luminous flux: 7000 lm / 8400 lm biodynamic version
- Luminous efficiency: 143 lm/W / 129 lm/W biodynamic version
- Direct light portion: approx. 34%
- Color of light: neutral white, approx. 4000 K / 2700K -6500K biodynamic version
- Color rendering index: Ra > 80
- Color tolerance: < 3 SDCM
- Luminance: <2500 cd/m²
- UGR class: < 16

• Supply Schedule

- 1 Knürr LED pendant with radio-controlled unit and push-button unit
- 1 Mounting material

• Note

- Linking possible upon request. Please contact us! When using the Knürr LED Biodynamic, one backup clock per room is required!



Knürr Console LED pendant

ACC20019

Picture: Herbert Waldmann GmbH & Co. KG

Model	Order no.	UP
Knürr LED pendant	00.350.700.9	1 unit
Knürr LED pendant biodynamic	00.350.701.9	1 unit
Backup Clock biodynamic	00.350.702.9	1 unit



ACC20013



Dimensions in mm: W = Width
H = Height
D = Depth
h = Installation height
d = Useful depth
L = Length

HU = Standard height unit, 1 HU = 44.45 mm
19" = 482.6 mm, (ideal for 19" components in acc. with DIN 41494)
UP = Unit of packaging
kg = Weight

Conversion: 1 inch = 25.4 mm
1 pound = 453.6 g

Replace „x“ with the number of your color choice



knürr
World of control rooms

knuerr-consoles.com | Knürr GmbH, Mariakirchener Straße 38, 94424 Arnstorf, Germany ID-Nr. DE 363797731

© 2024 Knürr GmbH. All rights reserved. Knürr® and the Knürr logo are trademarks or registered trademarks of Knürr GmbH. All other names and logos referred to are trade names, trademarks or registered trademarks of their respective owners. While every precaution has been taken to ensure accuracy and completeness herein, Knürr GmbH assumes no responsibility, and disclaims all liability, for damages resulting from use of this information or for any errors or omissions. Specifications are subject to change without notice.