

## Knürr Ergocon® Circular

Knürr Ergocon® 90

Knürr Ergocon® 120

Knürr Ergocon® 150

Knürr Ergocon® 180



### THE ULTIMATE 24/7 CONSOLE FOR CRITICAL APPLICATIONS

**With its four new consoles - Ergocon® 90, Ergocon® 120, Ergocon® 150 and Ergocon® 180 - Knürr offers the latest generation of consoles for demanding 24/7 applications in control rooms and control centres.**

The special circular shape always guarantees even viewing distances to the displays and is perfectly adapted to the latest technologies such as large 32:10 widescreen curved monitors.

Multidimensional adjustment options in three axes (tabletop height, monitor height and viewing distance) ensure the best possible ergonomics.

There are solutions for individual areas of application and perfect integration of equipment through an extensive selection of console models.

In combination with Knürr Ergocontrol, individual adjustment per user is offered. This free-seating concept guarantees efficient workplace ergonomics.

With their many years of experience in the field of mission-critical control centre equipment, Knürr workstation experts design perfectly adapted BOS workstations for fire brigades, rescue services, disaster control, civil defence, police as well as for private security centres.



## Knürr Ergocon® 90

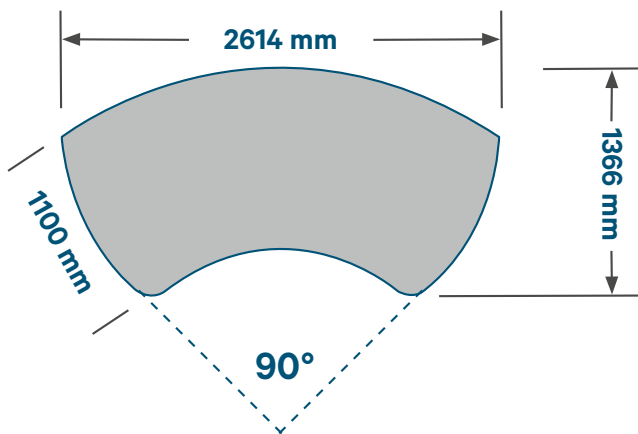


### Dicon integration

- Individually equipable power and data modules for easy connection of IT equipment such as keyboard, mouse, telephone, touch monitor, ...

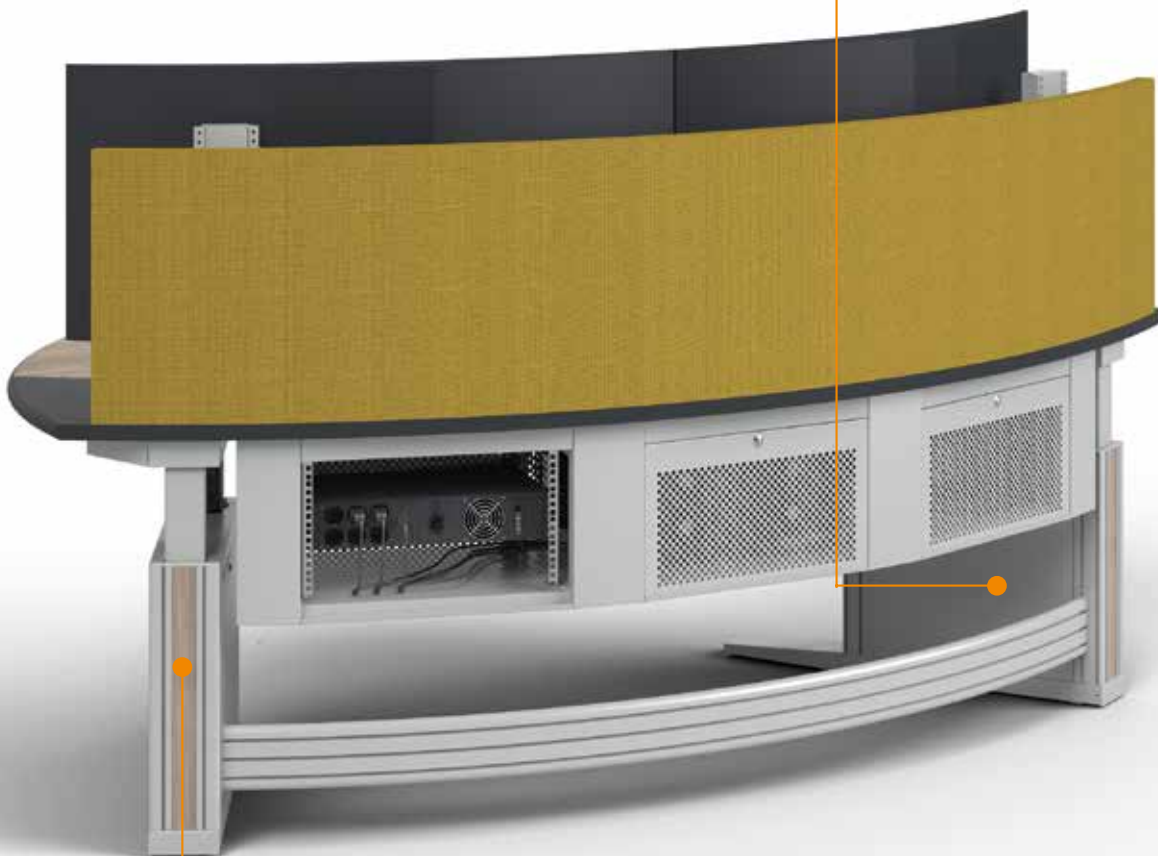
### High quality table tops

- Extremely resistant HPL coating, always in a noble 2-colour finish. In the rear area, it is perfectly matched to the displays with a dark decor.
- With continuous or offset worktop.
- Framed by the ergonomic and robust Knürr ErgoSoft edge.



#### Compliant with standards

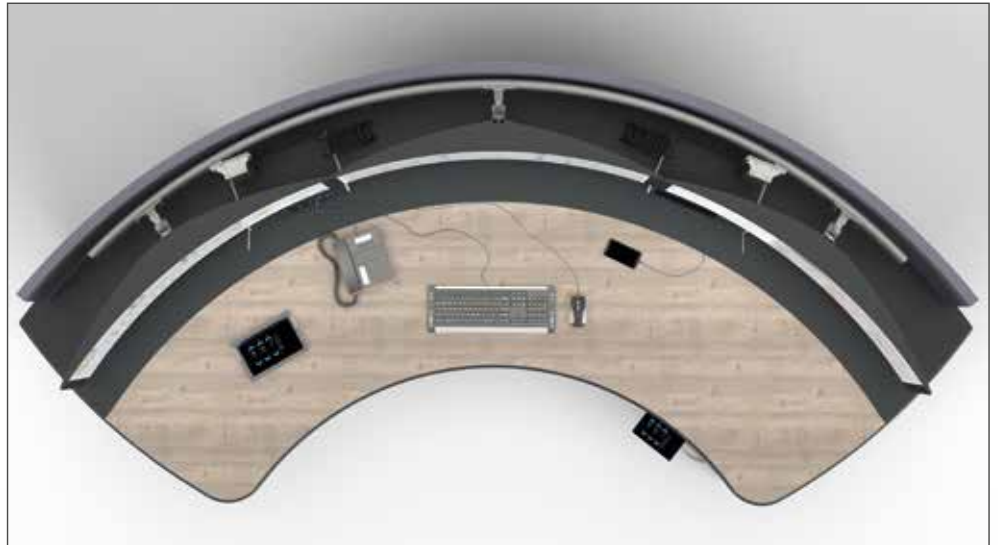
- DIN EN ISO 11064: Ergonomic design of control centres.
- DIN EN 527 defines workstation types with minimum specifications for the adjustment range: Type A: min. 650 to 1,250 mm



#### Stability and design

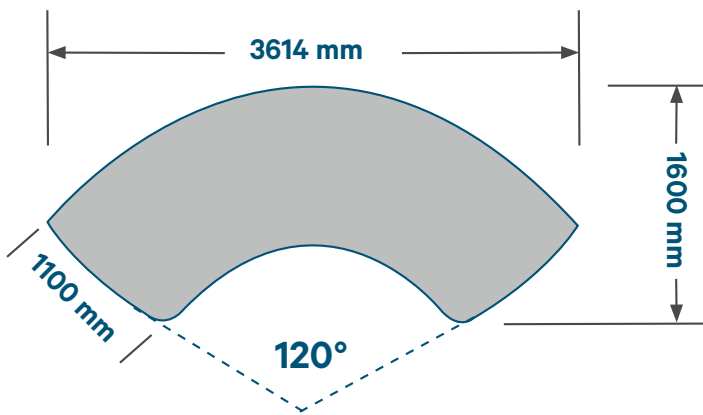
Sturdy C-foot frame for maximum legroom.  
 Optional design strips in the extruded aluminium profile for colour individualisation.

## Knürr Ergocon® 120



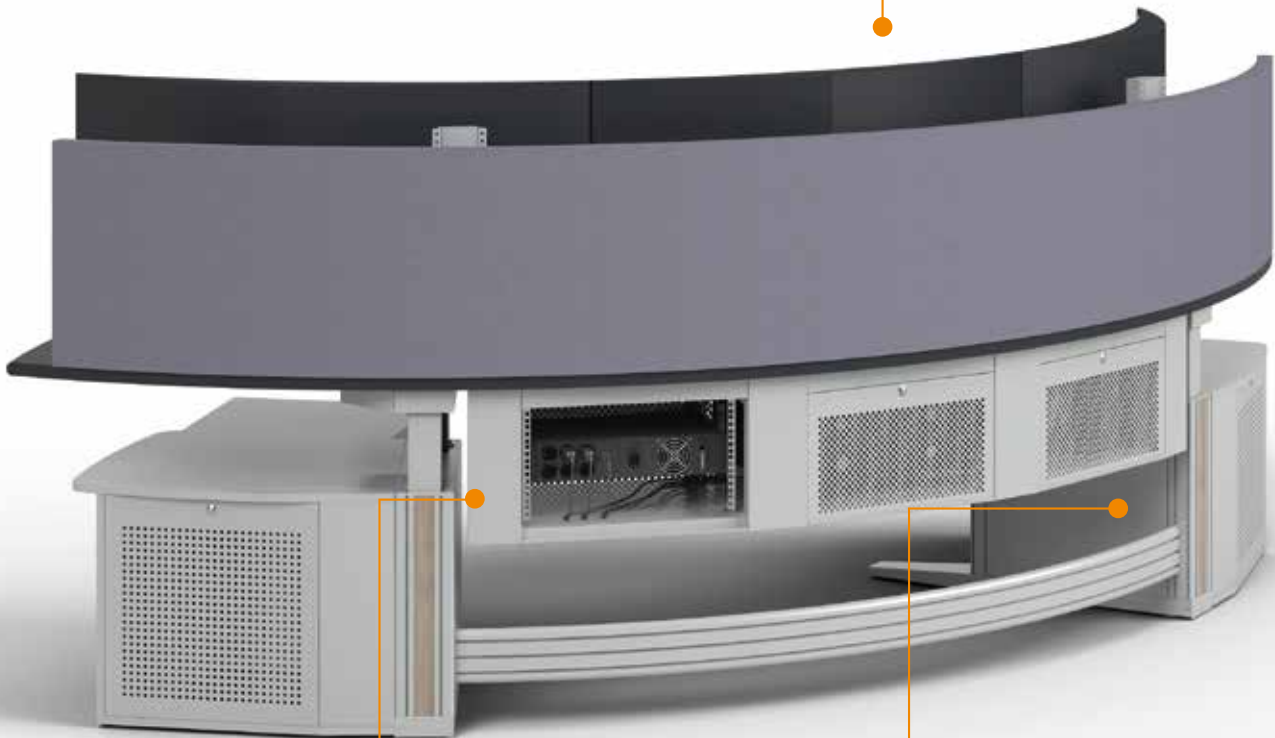
### **Individually expandable with technical containers**

The facility can optionally be supplemented on both sides with 19-inch technology containers. In addition, an office container with a personal docking station (shown on the right) can be added.



**Secure monitor connection**

Maximum flexibility with 1-level and 2-level monitor rails, optionally height and depth adjustable by electric motor.



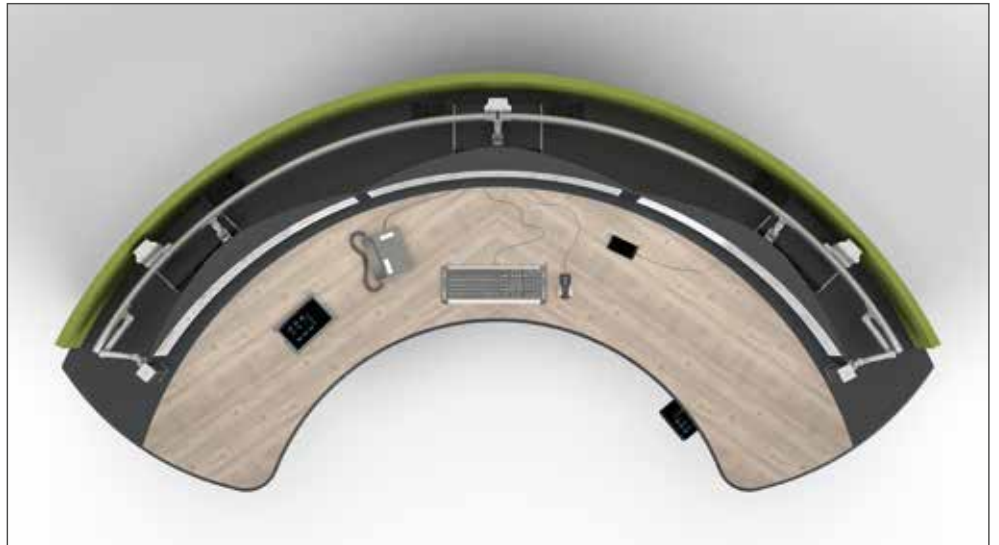
**Intelligent cable routing**

Spacious and concealed vertical cable routing in the side panel, accessible from inside and outside.

**Integrated passive Ventilation concept**

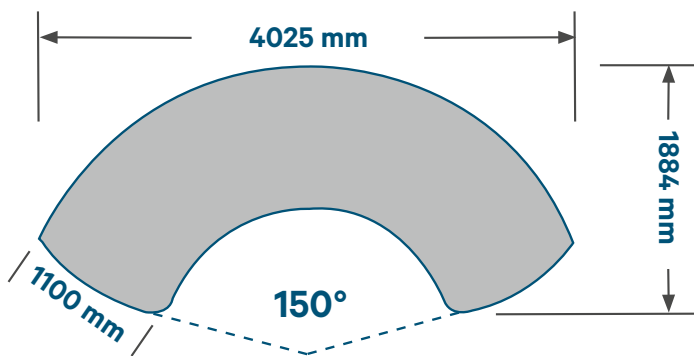
Guarantees maximum Failure safety of the IT components.

## Knürr Ergocon® 150



### **Everything in view**

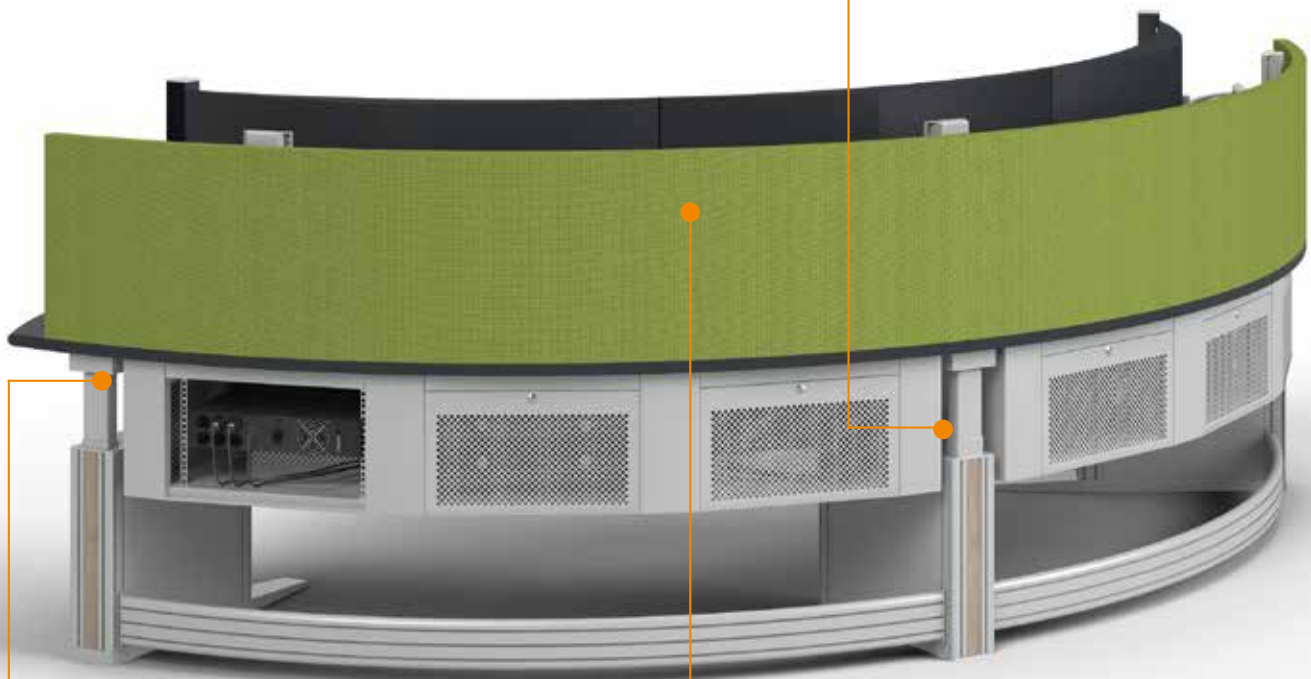
In the special circular design of the console, constant viewing distances to the displays are guaranteed, which makes working even more comfortable.



### Modular Console system

We offer highly individual solutions that are specially adapted to your needs. Our circular Knürr Ergocon® consoles are available in four different sizes:

- Ergocon® 90
- Ergocon® 120
- Ergocon® 150
- Ergocon® 180



### Comfortable height adjustment

The height adjustment of the working and monitor level is particularly easy to handle thanks to the standard memory function. In addition, the Knürr depth adjustment offers the possibility of individually adjusting the viewing distance.

### Acoustics

Suitable acoustic packages are available for each size of Ergocon system, which elegantly cover the rear behind the monitors and allow quick access to the technology when needed. These packages offer high acoustic efficiency and thus ensure safe and concentrated operation in the control room as well as in the control centre.

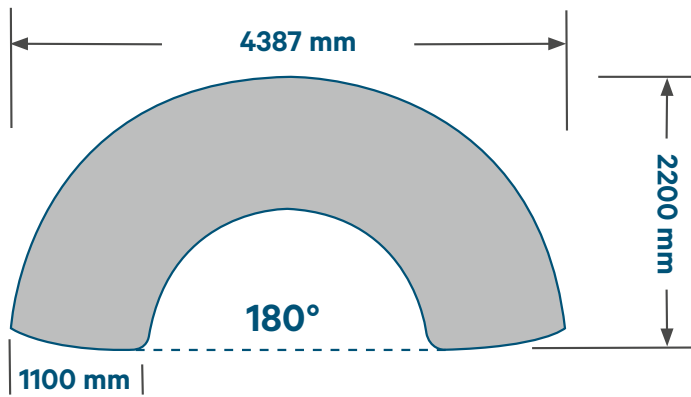


## Knürr Ergocon® 180



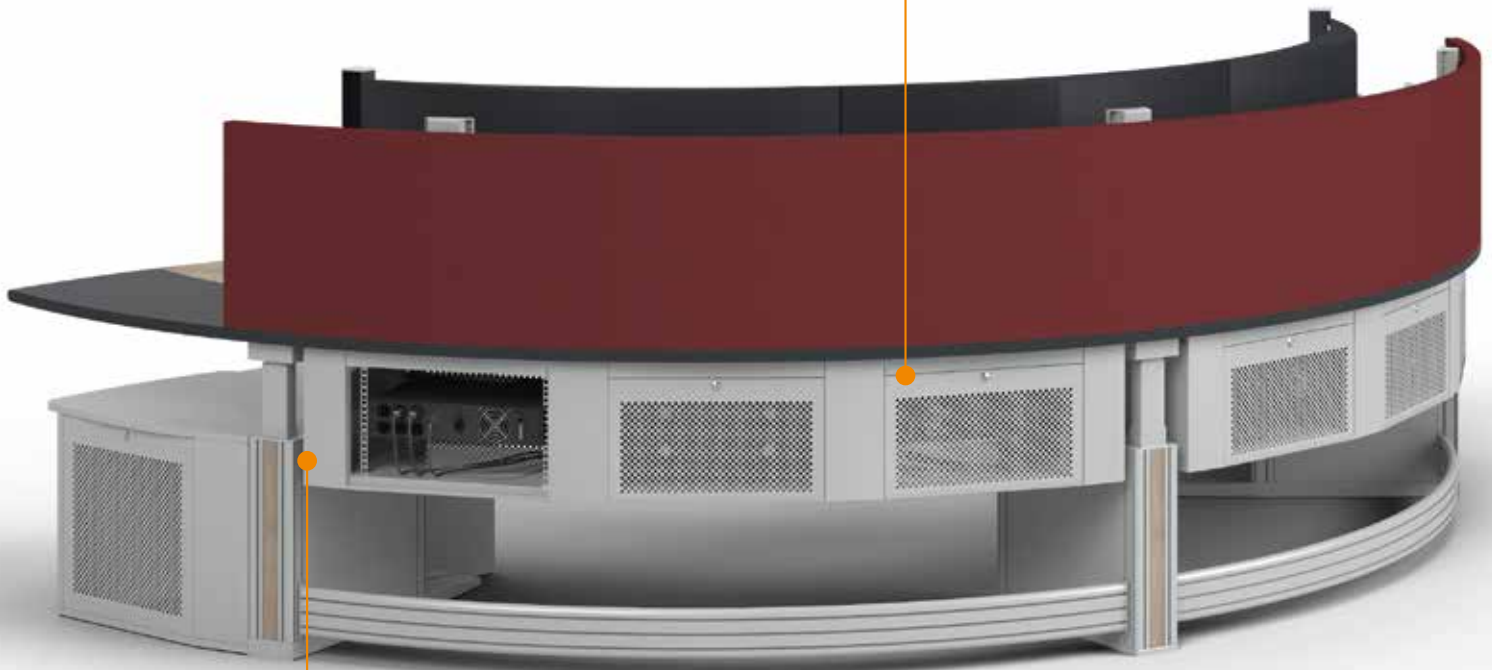
### **Maximum stability**

The circular Knürr Ergocon® system with the „rounded aluminium mould technology“ ensures maximum stability and at the same time has a slim and elegant design. and elegant design.



### Modern colour design

The modern colour design of the Knürr Ergocon® consoles includes a base frame in the colour RAL 9006, white aluminium. The table tops are available in various decors, while optional design strips on the side panels provide additional stylish accents.



### KVM-ready technology substructure

The technology substructure is KVM-capable and offers an installation space of up to 6x6U 19" for the Ergocon 150 and 180 models. This enables perfect integration of KVM switches, SFF PCs, power distributors, cable management systems and many other accessories.

**Knürr Ergocon® 90**  
**Knürr Ergocon® 120**  
**Knürr Ergocon® 150**  
**Knürr Ergocon® 180**  
Configurator



**The number of possibilities is simply convincing!**

**With the help of the configurable item number, you have access to over 330 variations to create an individual configuration. In addition, you can flexibly expand each console by using accessory modules.**

You have the possibility to customise the perfect console for your requirements. With KVM-ready function and additional 19"

technology containers, table tops are available in a continuous or remote design. Furthermore, you can opt for different monitor levels, up to the 2-row monitor level with depth adjustment and equipped Dicon modules.

With the help of the **Knürr Ergocon® configuration table**, you can put together your own individual console.

**Part no.:**

**04.500.**



Base widths	Tabletop shape	Monitor level	Color
<b>M</b> = Knürr Ergocon® 90 KVM-Ready	<b>2</b> = Curved	<b>0</b> = without	<b>A</b> = RAL 7035
<b>N</b> = Knürr Ergocon® 120 KVM-Ready	<b>3</b> = Curved, bi-level	<b>1</b> = H-Fix single-level	<b>B</b> = Nelson Oak
<b>O</b> = Knürr Ergocon® 150 KVM-Ready		<b>2</b> = H-Fix two-level	<b>C</b> = Pine Black
<b>P</b> = Knürr Ergocon® 180 KVM-Ready		<b>3</b> = H-A single-level	<b>D</b> = Nano Bronzo Doha
		<b>4</b> = H-A two-level	<b>E</b> = Beech
		<b>5</b> = H/D-A single-level	<b>F</b> = Maple
		<b>6</b> = H/D-A two-level	

**Sample configuration** (see image, left):

Worktop angle: 120°, KVM ready, technology substructure  
 Tabletop: curved, single-level  
 Monitor level: height/depth-adjustable, single-level  
 Tabletop color: RAL7035, Light grey



Base widths	Tabletop shape	Monitor level	Color
<b>N</b>	<b>2</b>	<b>5</b>	<b>B</b>



**Configuration number:**

**04.500.N25.B**

## Accessories

Knürr Ergocon® 90

Knürr Ergocon® 120

Knürr Ergocon® 150

Knürr Ergocon® 180

Office container

19" Container

Acoustic walls / Acoustic package

### Office container

- Specially designed for installation in front of the 19" container
  - Open at the rear with connecting elements
  - Narrow top drawer (120mm) with preparation for insert tray / docking compartment
  - Large drawer at the bottom (360mm) with cup holders for 2 1.5L PET bottles
  - Softclose function
- **Material / Surface**
    - Carcase and top panel: Three-layer particle board FP/Y E1 version, fire protection class B2, directly coated RAL9006 white aluminium
    - Drawer tray: lacquered sheet steel
  - **Technical data**
    - Drawer fronts in wood finish and matching decorative colour (to choice)
    - Segment arch handles: Metal
- **Dimensions**
    - Width: 510mm
    - Height: 540mm
    - Depth: 450mm



Office container front

W	H	D	Version	Order-no.	UP
x	x	x	Pedestal Nelson Oak	04.501.095.B	1 unit
x	x	x	Pedestal Pine Black	04.501.095.C	1 unit
x	x	x	Pedestal Buche	04.501.095.E	1 unit
x	x	x	Pedestal Ahorn	04.501.095.F	1 unit
x	x	x	Pedestal RAL9006 White aluminium	04.501.095.H	1 unit
x	x	x	Insert tray / docking compartment	04.508.395.7	1 unit



19" container back

## 19" Container

- 19" container for side mounting on the Knürr Ergocon® side panel
- Removable perforated rear panel at the front and rear with push-lock (optionally also lockable)
- 2 19" installation frames for horizontal and vertical 19" mounting
- Insertion depth max. 515mm, adjustable in 25mm increments

- **Material / Surface**
  - Carcase and top panel: three-layer particle board FP/Y E1 version, fire protection class B2, directly coated, sheet steel powder-coated, RAL9006 white aluminium
- **Dimensions**
  - Width: 750mm
  - Height: 540mm
  - Depth: 640mm
- **Supply schedule**
  - 1 19" container
  - 2 19" levels for cage nut mounting



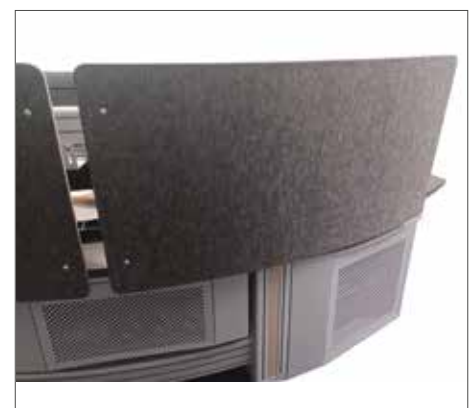
19" container front

Version	Order-no.	UP
19" Container - links	04.501.093.7	1 unit
19" Container - rechts	04.501.094.7	1 unit

## Acoustic walls / acoustic package

- Sound-absorbing acoustic walls
- Ultra-light design
- Wall thickness 10 mm
- No chemicals (flame retardants, etc.) contained according to DIBt criteria
- **Colour**
  - Dark grey grey (Other colours available on request)
- **Sound absorption coefficient according to DIN EN ISO 354 in the frequencies**
  - 125 Hz as 0,4
  - 250 Hz as 0,18
  - 500 Hz as 0,53
  - 1000 Hz as 0,81
  - 2000 Hz as 0,86
  - 4000 Hz as 0,85
- **Dimensions per module**
  - Width: 1200mm
  - Height: 600mm
- **Supply schedule**
  - 1 set consisting of acoustic walls and holders (see number of modules)

Version	Modules	Order-no.	UP
Acoustic package Ergocon 90	2 Modules	04.303.750.9	1 unit
Acoustic package Ergocon 120	3 Modules	04.303.751.9	1 unit
Acoustic package Ergocon 150	4 Modules	04.303.752.9	1 unit
Acoustic package Ergocon 180	5 Modules	04.303.753.9	1 unit



Acoustic walls / acoustic package

**Dimensions in mm:** W = width  
H = height  
D = depth  
h = installation height  
t = usable depth  
L = length

RU = Number of standard height units. 1 RU = 44.45 mm  
19" = 482.6 mm, (suited to 19" installation acc. to DIN 41494)  
UP = Unit of packaging  
kg = weight

**Conversion:** 1 inch = 25.4 mm  
1 pound = 453.6 g

Replace 'x' with the last digit of your color choice



**knürr**  
World of control rooms

[knuerr-consoles.com](https://knuerr-consoles.com) | Knürr GmbH, Mariakirchener Straße 38, 94424 Arnstorf, Germany ID-Nr. DE 363797731

© 2024 Knürr GmbH. All rights reserved. Knürr® and the Knürr logo are trademarks or registered trademarks of Knürr GmbH. All other names and logos referred to are trade names, trademarks or registered trademarks of their respective owners. While every precaution has been taken to ensure accuracy and completeness herein, Knürr GmbH assumes no responsibility, and disclaims all liability, for damages resulting from use of this information or for any errors or omissions. Specifications are subject to change without notice.