



161 to 168

# KNÜRR ELICON® ELECTRONIC WORKSTATION



## INFO

Find the Standard version (non ESD) in the latest Elicon brochure  
[www.knuerr-consoles.com](http://www.knuerr-consoles.com)



## Knürr Elicon® Classic

### Strong points

- **Future-proof modular design**
  - Expand your existing table combinations, modify your current installation or supplement it with new accessories. The modular design and multi-functional T-grooves give you all the options for future upgrades.
- **Perfect ergonomics**
  - Freely selectable working height in 20 mm increments (can be changed retroactively), great ergonomics guaranteed.
- **Convenient cable management**
  - Spacious horizontal cable ducts with convenient access from above via sliding sections. Routing through vertical cable troughs via detachable covers on the inside and outside of the side sections.
- **Providing electricity**
  - Cable troughs and crosspieces are equipped with a cap extrusion for easy mounting and attachment of socket strips and installation components.
- **Flat-packed kit**
  - Preassembled modules are supplied as a flat-packed kit. This saves freight space and reduces time and space required for assembly.
- **Easy assembly**
  - Screw connections facilitate quick assembly. Simple assembly instructions describe the process.
- **Different working surface depths**
  - Working surface depths from 700 mm to 1000 mm (in 100 mm increments) allow for custom room planning in accordance with your requirements.
- **Maximum stability**
  - More than 20 years of proven stability of Elicon extruded aluminum profiles and die-cast stabilizers in conjunction with sheet steel make this system a reliable and stable choice.



**Knürr Elicon®  
Connector Side Panels/Closing Side Panels**

**Connector/closing side panels**

- Vertical cable routing in the spacious cable duct
- Sheet steel cable duct covers with hinge function for easy cabling
- Mounted superstructures (rear), add-on levels, and other components
- Mounting option for additional foot stabilizer at the rear to increase stability with add-ons
- Preassembled lock strips for simple and secure work levels mounting (680-760 mm, increment 20 mm). Any work height can be set at any time simply by turning a screw.

**Connector side panels**

- Segmented cable duct cover on the outside and inside

**Closing side panels**

- Full-length cable duct cover on the outside
- Segmented cable duct cover on the inside

**Variants**

**Type 1**

- Side panel with short stabilizer for working levels with depth 700 mm

**Type 2**

- Side panel with long stabilizer for working levels with depths 800/900/1000 mm

**Material/finish**

- Extruded aluminum with die cast aluminum stabilizer and head piece, antistatic powder-coated texture
- Cable duct cover: Sheet steel, rolled, antistatic powder-coated texture

**Color combination**

**Final digit of order number .2:**

- Metal parts: RAL 7035 light gray
- Design elements: RAL 5003 sapphire blue

**Final digit of order number .9:**

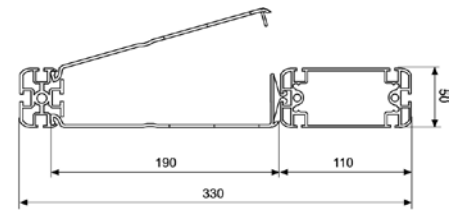
- Metal parts and design elements: RAL 7021 dark gray

**How supplied**

- Preassembled modules



CON20046



CON00065

**Knürr Elicon® connector side panels**

W	H	D	Model	Order no.	UP
760	650		Type 1	04.252.150.x	1 unit
760	800		Type 2	04.252.151.x	1 unit
1250	800		Type 2	04.252.155.x	1 unit
1656	800		Type 2	04.253.151.x	1 unit
2064	800		Type 2	04.253.152.x	1 unit

**Knürr Elicon® closing side panels**

W	H	D	Model	Order no.	UP
760	650		Type 1	04.252.160.x	1 unit
760	800		Type 2	04.252.161.x	1 unit
1250	800		Type 2	04.252.165.x	1 unit
1656	800		Type 2	04.253.161.x	1 unit
2064	800		Type 2	04.253.162.x	1 unit

**Knürr Elicon® Side Piece Cover, Full-Length  
Optional for external side piece**

**Material / Finish**

- Sheet steel, rolled, antistatic powder-coated texture

**Color combination**

**Final digit of order number .1:**

- RAL 7035 light-grey

**Final digit of order number .9:**

- RAL 7021 dark-grey

**Supply schedule**

- 1 side panel

W	H	D	Order no.	UP
760			04.250.362.x	
1250			04.250.367.x	
1656			04.250.364.x	
2064			04.250.365.x	

Dimensions in mm: w = Worktop width W = Set up width (w+30 mm)

H = Height HU = Standard height unit  
 D = Depth 1HU = 44.45 mm  
 h = Installation height HP = Horizontal pitch  
 d = Useable depth OU = Office unit  
 L = Length UP = Unit of packaging  
 Ø = Diameter kg = Weight

Replace "X" with the number of your color choice  
 .2 = RAL 7035 / RAL 5003  
 .4 = RAL 7035 / RAL 5018  
 .9 = RAL 7021

Conversion: 1 inch = 25,4 mm 1 kg = 2,2046 pound



CON20049



## Knürr Elicon® Working Level ESD version

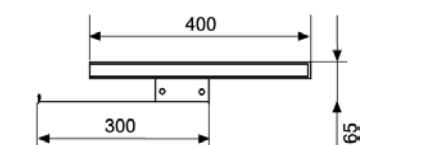
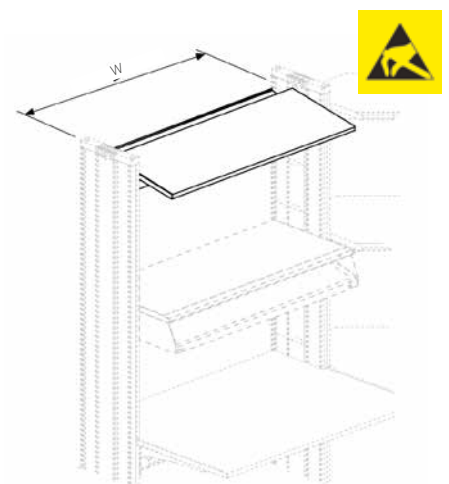
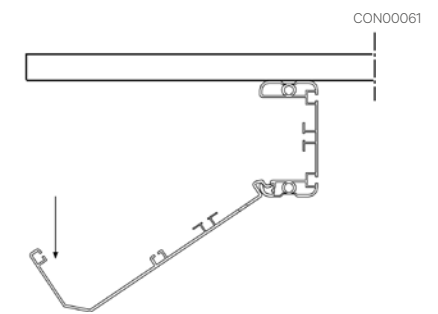
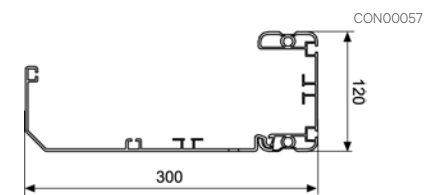
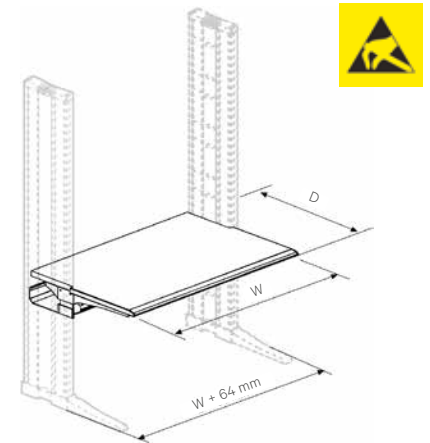
- ESD version for discharging electrostatic charges
  - Working level designed as sliding top for convenient access to the horizontal cable duct
  - The working level can be mounted at any height between two side panels and can be varied in the height at any time
  - Worktop (30 mm) with ergonomically shaped front edge
  - Spacious horizontal cable duct, can be accessed via sliding worktop and folding mechanism
  - Cable duct with integrated C-rail for mounting installation components and mounting slot for general accessories
- **Material / Finish**
    - Crosspiece: extruded aluminium, antistatic, powder-coated texture
    - Support arm: sheet steel, antistatic powder-coated texture
    - Worktop: three layer particle board, FP / Y E1 version, fire protectionclass B2, volume conductive
    - Worktop coating: high pressure plastic laminate
    - Cable duct, horizontal: sheet steel, rolled, antistatic powder-coated texture
- **Color**
    - Worktop: light-grey
    - Metal parts: RAL 7035 light-grey
- **Load rating**
    - 1500 N (static surface load)
- **Standards**
    - DIN 68761 for worktops
    - EN 438 HGS class for high pressure plastic laminate
    - EN 61340 for electrostatic
- **Supply schedule**
    - 1 worktop
    - 1 crosspiece
    - 2 desk stabilizers
    - 1 cable duct
    - 1 detailed mounting instructions
    - Mounting material
- **How supplied**
    - Preassembled modules

W	H	D	ESD	Order no.	UP
800		900	•	04.272.110.1	1 unit
1200		900	•	04.272.111.1	1 unit
1600		900	•	04.272.112.1	1 unit
1800		900	•	04.272.113.1	1 unit
2000		900	•	04.272.114.1	1 unit

## Knürr Elicon® Superstructure Level Standard, ESD version

- ESD version for discharging electrostatic charges
  - For utilizing the area above the worktop as storage and functional surface with additional cabling option
  - Worktop height easily adjustable
  - Cable duct integrated in the crosspiece
  - Tilttable 0–10°
  - Worktop thickness: 30 mm
- **Material / Finish**
    - Superstructure worktop: three layer particleboard, FP / Y E1 version, fire-protectionclass B2, melamine coated (directly coated) veneer, ABS 3mm thick fine textured, matt
    - Cable duct, horizontal: sheet steel, rolled, antistatic powder-coated texture
- **Color**
    - Superstructure worktop: light-grey
    - Metal parts: RAL 7035 light-grey
- **Load rating**
    - 750 N (static surface load)
- **Standards**
    - DIN 68761 for superstructure worktop
    - DIN 68765 for direct coating
    - EN 61340 for electrostatic
- **Note**
    - Caution with use in tilted state; use edge strip to prevent sliding
- **Supply schedule**
    - 1 superstructure worktop
    - 1 cable duct
    - Mounting material
- **How supplied**
    - Preassembled modules

W	H	D	ESD	Order no.	UP
800		400	•	04.278.025.1	1 unit
1200		400	•	04.278.016.1	1 unit
1600		400	•	04.278.017.1	1 unit
1800		400	•	04.278.018.1	1 unit
2000		400	•	04.278.019.1	1 unit

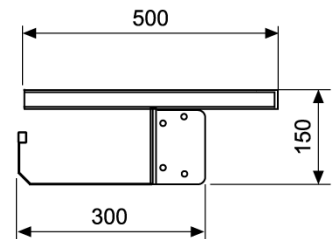
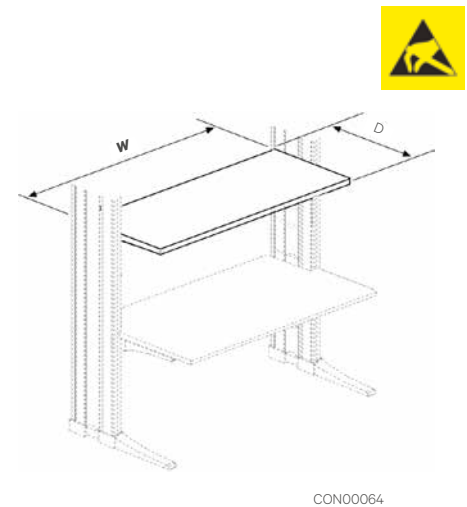


CON00075

**Knürr Elicon® Superstructure Level System, ESD version**

- ESD version for discharging electrostatic charges
  - Superstructure level designed as sliding top for convenient access to the horizontal cable duct
  - For utilizing the area above the worktop as storage and functional surface with additional cabling option
  - Stable crosspiece with spacious, folding, and consequently easily accessible cable duct
  - Easy integration of system components for perfect electricity provision with C-rails and mounting slots
  - Worktop height easily adjustable
  - Can be fitted at any time with keyboard shelves
  - Worktop thickness: 30 mm
- **Material / Finish**
    - Superstructure worktop: three layer particleboard, FP / Y E1 version, fire-protectionclass B2, melamine coated (directly coated) veneer, ABS 3mm thick fine textured, matt
    - Crosspiece: extruded aluminium, antistatic, powder-coated texture
    - Support arms: sheet steel, antistatic powder-coated texture
    - Cable duct, horizontal: sheet steel, rolled, antistatic powder-coated texture

- **Color**
  - Superstructure worktop: light-grey
  - Metal parts: RAL 7035 light-grey
- **Load rating**
  - 1500 N (static surface load)
- **Standards**
  - DIN 68761 for superstructure worktop
  - DIN 68765 for direct coating
  - EN 61340 for electrostatic
- **Supply schedule**
  - 1 superstructure level
  - 2 stabilizers
  - 1 crosspiece
  - 1 cable duct
  - Mounting material
- **How supplied**
  - Preassembled modules



W	H	D	ESD	Order no.	UP
800		500	•	04.278.025.1	1 unit
1200		500	•	04.278.026.1	1 unit
1600		500	•	04.278.027.1	1 unit
1800		500	•	04.278.028.1	1 unit
2000		500	•	04.278.029.1	1 unit



Suitable monitor mounting accessories can be found from page **213**

**Dimensions in mm:** W = Width  
 H = Height  
 D = Depth  
 h = Installation height  
 d = Useful depth  
 L = Length

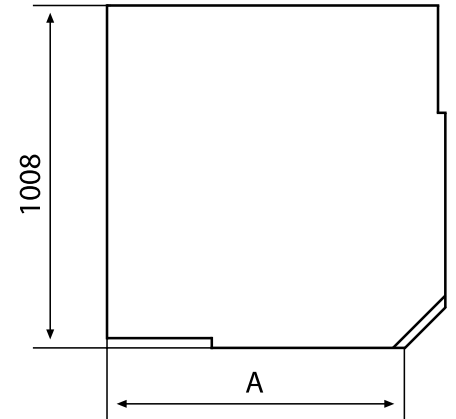
HU = Standard height unit, 1 HU = 44.45 mm  
 HP = Horizontal pitch  
 OU = Office unit  
 19" = 482.6 mm, (ideal for 19" components in acc. with DIN 41494)  
 UP = Unit of packaging

**Conversion:** 1 inch = 25,4 mm  
 Replace „x“ with the number of your color choice

## Knürr Elicon® 90° Wall Corner, ESD



- ESD version for discharging electrostatic charges
  - The ergonomically formed front edge ensures optimal working conditions
  - Height variable for exact adjustment to operator and hardware
  - With support arms for direct connection to the side pieces
  - Spacious horizontal cable duct, can be accessed via removable corner panel and folding mechanism
  - Cable duct with integrated C-rail for mounting installation components and T-slot for mounting general accessories
  - With side panels which can also be used as workstation end points
- **Material / Finish**
    - Crosspiece: extruded aluminium, anti-static, powder-coated texture
    - Support arms: sheet steel, antistatic powder-coated texture
    - Worktop: three layer particle board, FP / Y E1 version, fire protectionclass B2, volume conductive
    - Worktop coating: high pressure plastic laminate
    - Cable duct, horizontal: sheet steel, rolled, antistatic powder-coated texture
  - **Color combination**
    - Worktop: light-grey
    - Metal parts: RAL 7035 light-grey
  - **Load rating**
    - 1500 N (static surface load)
  - **Standards**
    - DIN 68761 for worktops
    - EN 438 HGS class for high pressure plastic laminate
    - EN 61340 for electrostatic
  - **Supply schedule**
    - 1 corner panel
    - 1 worktop support complete with crosspiece
    - 2 stabilizers and cable duct
    - 1 support foot, can be set for desk heights, 680-760 mm
    - Mounting material
  - **How supplied**
    - Preassembled modules



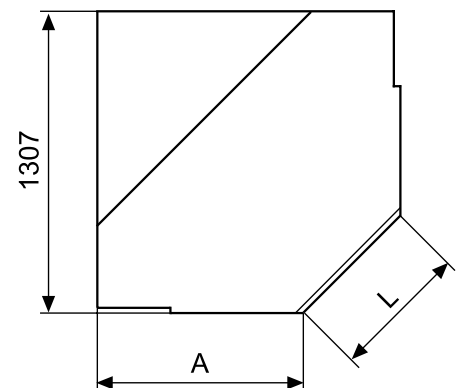
CON00031

W	H	D	A	ESD	Model	Order no.	UP
			900	•	90°, wall	04.272.556.1	1 unit

## Knürr Elicon® Trapezoid Wall Corner, ESD



- ESD version for discharging electrostatic charges
  - The ergonomically formed front edge ensures optimal working conditions
  - Height variable for exact adjustment to operator and hardware
  - With support arms for direct connection to the side pieces
  - Spacious horizontal cable duct, can be accessed via removable corner panel and folding mechanism
  - Cable duct with integrated C-rail for mounting installation components and T-slot for mounting general accessories
  - With side panels which can also be used as workstation end points
- **Material / Finish**
    - Crosspiece: extruded aluminium, antistatic, powder-coated texture
    - Support arms: sheet steel, antistatic powder-coated texture
    - Worktop: three layer particle board, FP / Y E1 version, fire protectionclass B2, volume conductive
    - Worktop coating: high pressure plastic laminate
    - Cable duct, horizontal: sheet steel, rolled, antistatic powder-coated texture
  - **Color combination**
    - Worktop: light-grey
    - Metal parts: RAL 7035 light-grey
  - **Load rating**
    - 1500 N (static surface load)
  - **Standards**
    - ESD version
    - DIN 68761 for worktop
    - EN 438 HGS class for high pressure plastic laminate
    - EN 61340 for electrostatic
  - **Supply schedule**
    - 1 corner worktop
    - 1 worktop support complete with crosspiece
    - 2 stabilizers and cable duct
    - 1 support foot, can be set for desk heights, 680-760 mm
    - Mounting material
  - **How supplied**
    - Preassembled modules



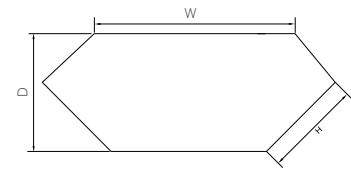
CON00032

W	H	D	A	ESD	L	Model	Order no.	UP
			900	•	600	Trapezoid corner	04.272.560.1	1 unit

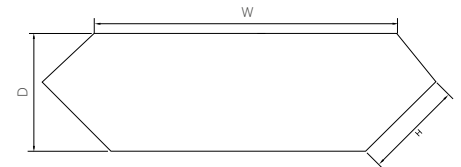
**Knürr Elicon® Superstructure Level Corner, ESD**  
**Standard depth, 400 mm**

- ESD version for discharging electrostatic charges
  - For utilizing the area above the worktop as storage and functional surface with additional cabling option
  - Worktop height easily adjustable
  - Cable duct integrated in the crosspiece
- **Material / Finish**
    - Superstructure worktop: three layer particle board, FP / Y E1 version, fire protection class B2, melamine coated (directly coated) veneer, ABS 3mm thick, fine textured, matt
    - Cable duct, horizontal: sheet steel, antistatic powder-coated texture
  - **Color combination**
    - Superstructure worktop: light-grey
    - Metal parts: RAL 7035 light-grey
  - **Load rating**
    - 750 N (static surface load)
  - **Standards**
    - DIN 68761 for superstructure worktop
    - DIN 68765 for direct coating
    - EN 61340 for electrostatic
  - **Supply schedule**
    - 1 superstructure worktop
    - 1 cable duct
    - Mounting material
  - **How supplied**
    - Preassembled modules

W	H	D	ESD	Model	Order no.	UP
824	400	495	•	90° wall	04.278.032.1	1 unit
1247	400	495	•	Trapez. and trapez. wall	04.278.033.1	1 unit



CON20007

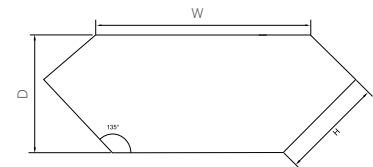


CON20008

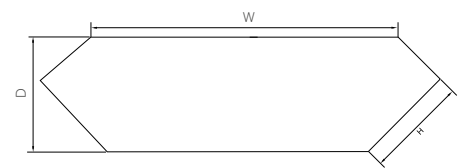
**Knürr Elicon® Superstructure Level Corner, ESD**  
**System depth, 500 mm**

- ESD version for discharging electrostatic charges
  - For utilizing the area above the worktop as storage and functional surface with additional cabling option
  - Stable crosspiece with spacious, folding, and consequently easily accessible cable duct
  - Easy integration of system components for perfect electricity provision with C-rails and mounting slots
  - Worktop height easily adjustable
  - Can be fitted at any time with keyboard shelves
- **Material / Finish**
    - Superstructure worktop: three layer particle board, FP / Y E1 version, fire protection class B2, melamine coated (directly coated) veneer, ABS 3mm thick, fine textured, matt
    - Crosspiece: extruded aluminium, antistatic powder-coated texture
    - Support arms: sheet steel, antistatic powder-coated texture
    - Cable duct, horizontal: sheet steel, antistatic powder-coated texture
  - **Color combination**
    - Superstructure worktop: light-grey
    - Metal parts: RAL 5003 light-grey
  - **Load rating**
    - 1500 N (static surface load)
  - **Standards**
    - DIN 68761 for superstructure worktop
    - DIN 68765 for direct coating
    - EN 61340 for electrostatic
  - **Supply schedule**
    - 1 superstructure worktop
    - 2 stabilizers
    - 1 crosspiece
    - 1 cable duct
    - Mounting material
  - **How supplied**
    - Preassembled modules

W	H	D	ESD	Model	Order no.	UP
907	500	595	•	90° wall	04.278.036.1	1 unit
1319	500	595	•	Trapez. and trapez. wall	04.278.037.1	1 unit



CON20009



CON20010

**Dimensions in mm:** W = Width  
H = Height  
D = Depth  
h = Installation height  
d = Useful depth  
L = Length  
HU = Standard height unit, 1 HU = 44.45 mm  
HP = Horizontal pitch  
OU = Office unit  
19" = 482.6 mm, (ideal for 19" components in acc. with DIN 41494)  
UP = Unit of packaging  
**Conversion:** 1 inch = 25,4 mm  
Replace „x“ with the number of your color choice